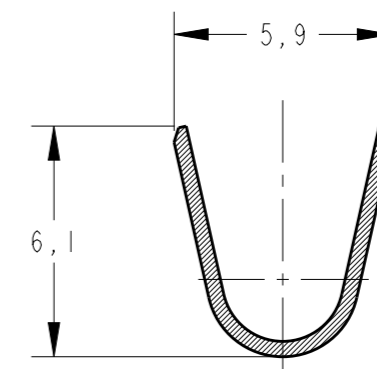
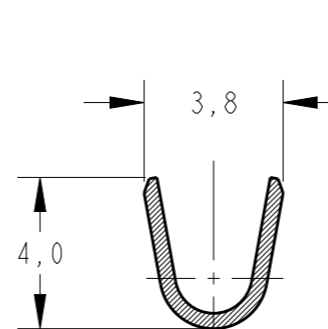
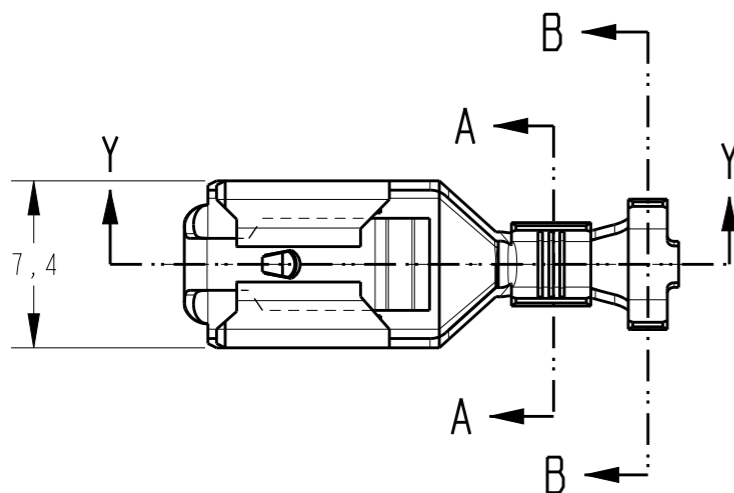


creo
 Creo Parametric 2.0
**DO NOT REVISE
 EXCEPT BY CAD**

REVISIONS

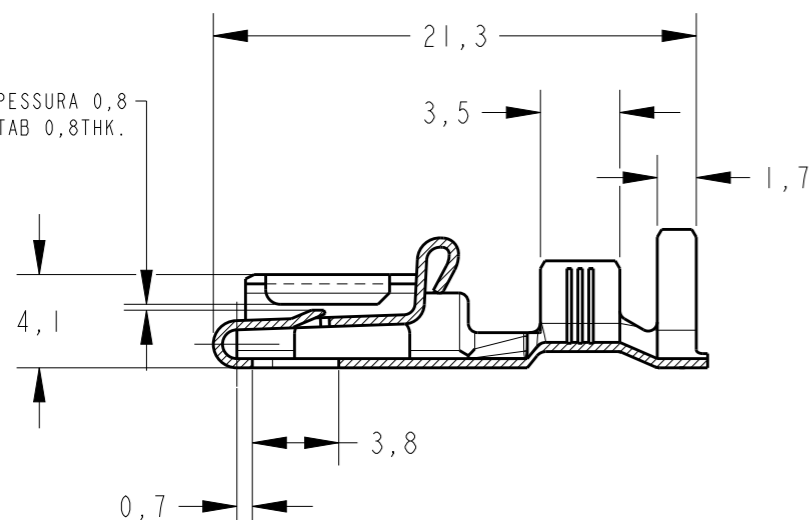
| P | LTR | DESCRIPTION | DATE | DWN | APVD |
|---|-----|----------------------------|-----------|-----|------|
| | C | REDRAW BY CAD ECO-14-08818 | 22SEP2014 | NCL | LWP |
| | CI | REVISED BY ECO 16-003723 | 29JUN2016 | HC | WLS |



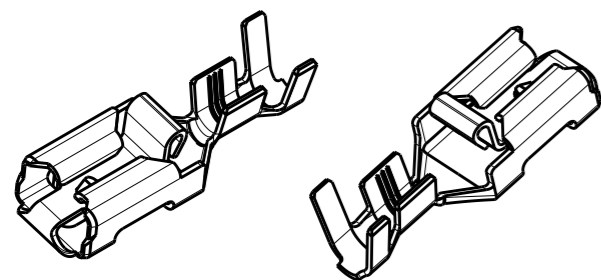
SECTION A-A
SCALE 5:1

SECTION B-B
SCALE 5:1

PARA LINGUETA ESPESSURA 0,8
FOR TAB 0,8THK.



SECTION Y-Y



PERSPECTIVE VIEWS
SCALE 2:1

| | | | |
|-----------------|-----------------------|---------------------------|-------------|
| OBSOLETE | ESTANHADO/TIN PLATED | LATÃO / BRASS | 880645 -9 |
| | PRÉ ESTANHADO/PRE TIN | LATÃO / BRASS | 880645 -6 |
| | ESTANHADO/TIN PLATED | BRONZE FOSF./PHOSP BRONZE | 880645 -4 |
| OBSOLETE | ESTANHADO/TIN PLATED | LATÃO / BRASS | 880645 -3 |
| | | BRONZE FOSF./PHOSP BRONZE | 880645 -2 |
| OBSOLETE | | LATÃO / BRASS | 880645 -1 |
| | FINISH | MATERIAL | PART NUMBER |

| INS. RANGE | WIRE RANGE |
|-------------|-------------------------|
| ∅ 2,7-4,0mm | >1,0-2,5mm ² |

THIS DRAWING IS A CONTROLLED DOCUMENT.

DWN: NCLAPRESA 16 JUL 2012
 CHK: JRGOLDSCHMIDT 16 JUL 2012
 APVD: 16 JUL 2012

NAME: -
 PRODUCT SPEC: -
 APPLICATION SPEC: -
 WEIGHT: -

STE TE Connectivity

TERMINAL POSITIVE LOCK RECEPT

SIZE: A3 CAGE CODE: 00779 DRAWING NO: C-880645 RESTRICTED TO: -

MATERIAL: SEE TABLE FINISH: SEE TABLE

Customer Drawing SCALE: - SHEET: 1 OF 1 REV: CI